

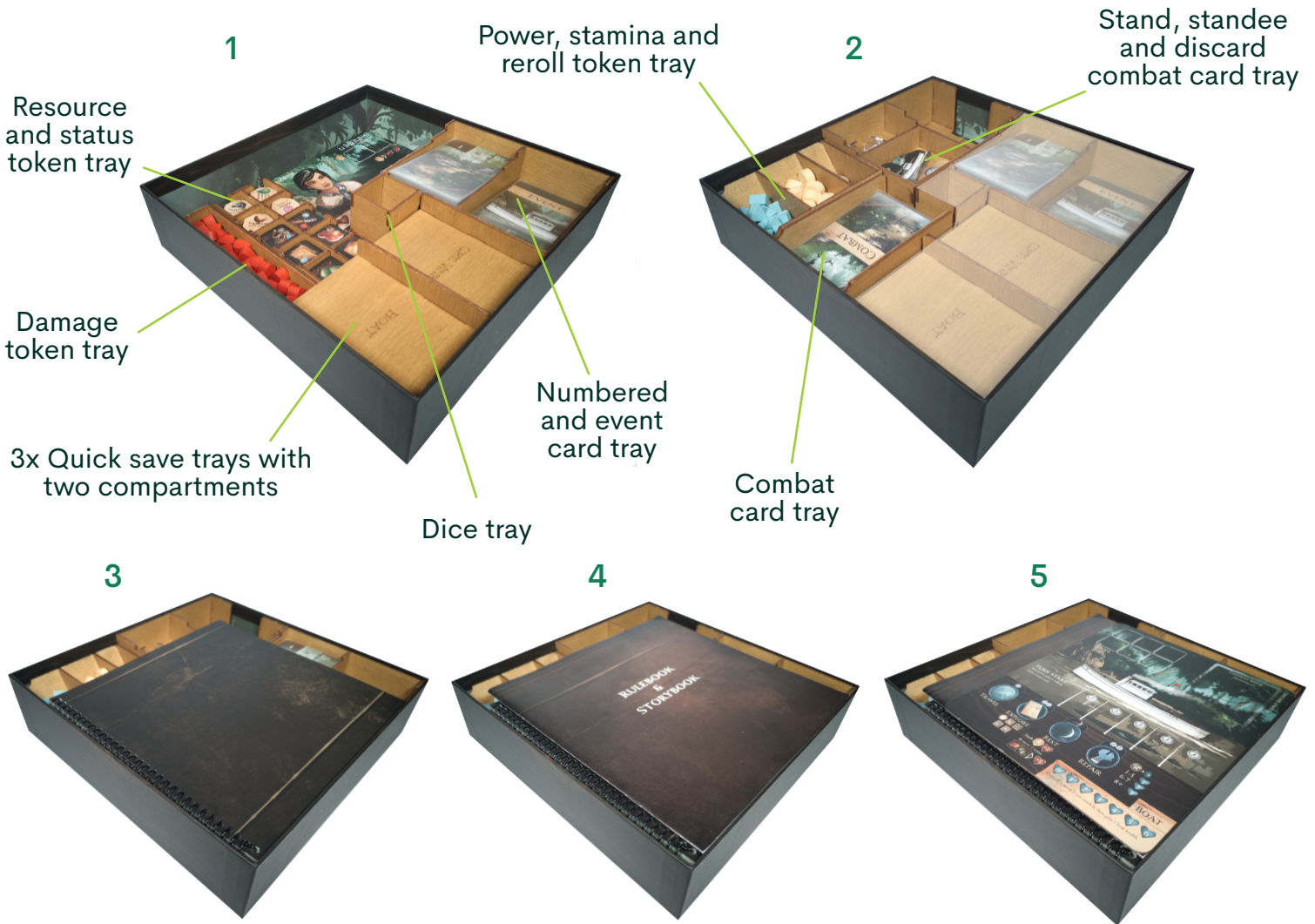


Board Game Beaver

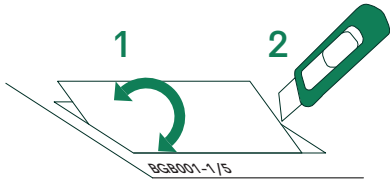
SLEEPING GODS: PRIMEVAL PERIL Compatible Game Organiser

- Eco friendly
- Removable trays
- Can store vertically
- Flush lid
- 63x97mm
100 microns
Supports sleeves
- 24 x 24 x 6cm
Fits box size

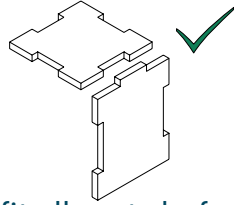
Components and stacking sequence



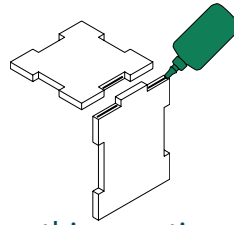
Assembly tips and general notes



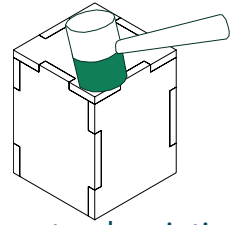
Gently remove parts from the sheet. Punching them out can split the wood. If a part resists, score the tabs with a hobby knife.



Dry-fit all parts before gluing to confirm orientation and sequence.



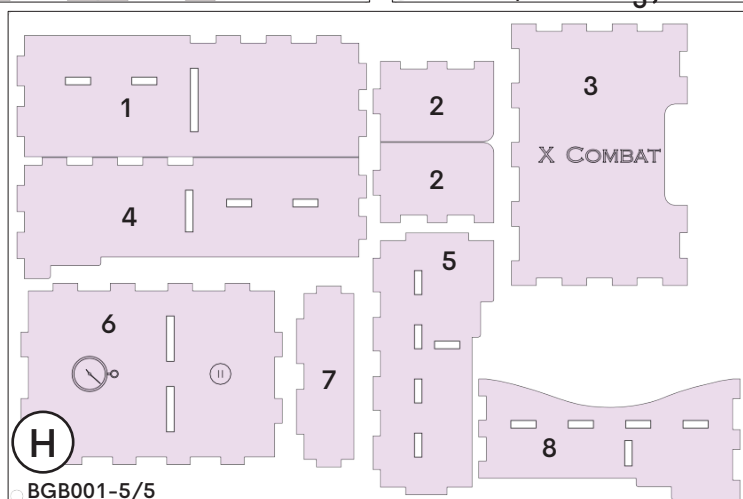
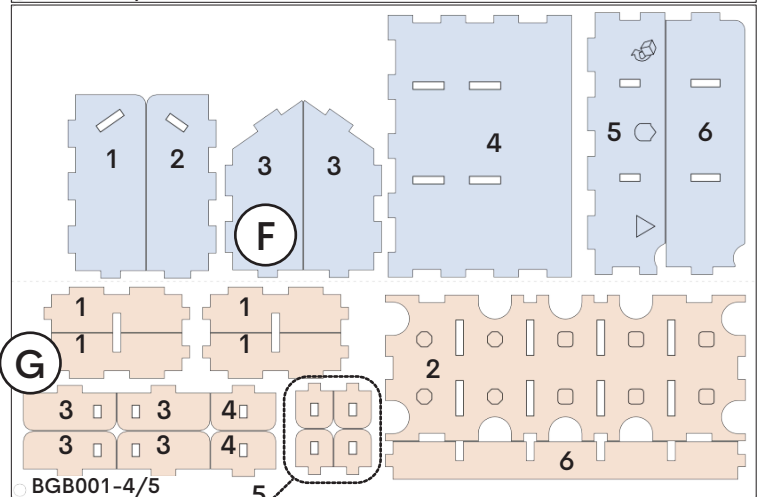
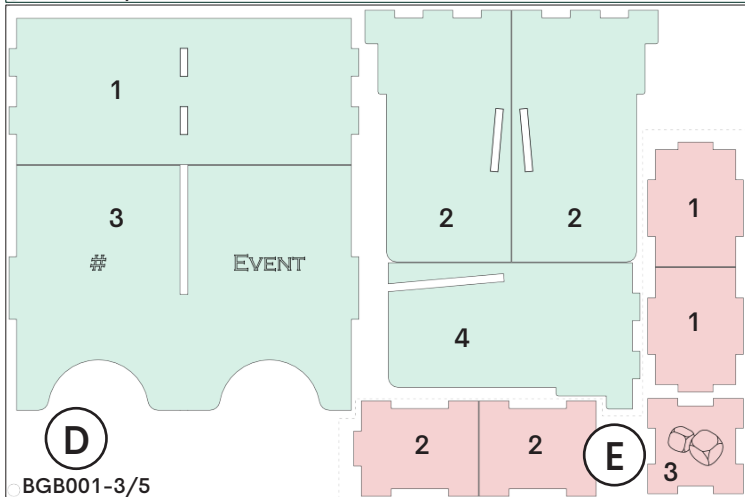
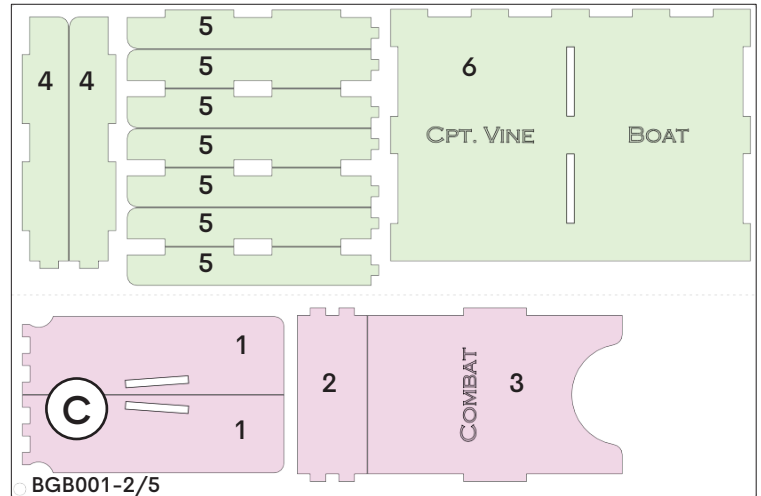
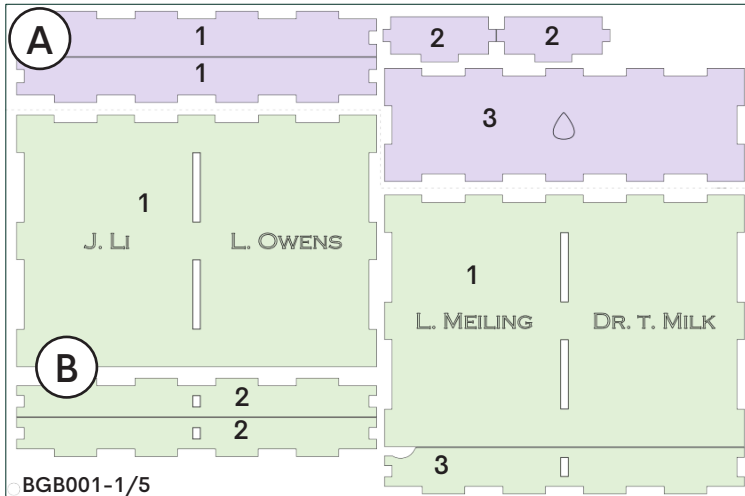
Apply a thin, continuous film of wood/PVA glue to one mating edge only. Glue isn't required for every joint, but it improves durability. Wipe any glue squeeze-out immediately with a clean cloth or paper towel.



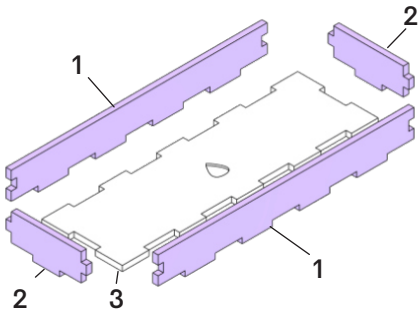
Due to natural variation in the wood, light taps with a rubber mallet may help seat tight joints.

(X) = Tray

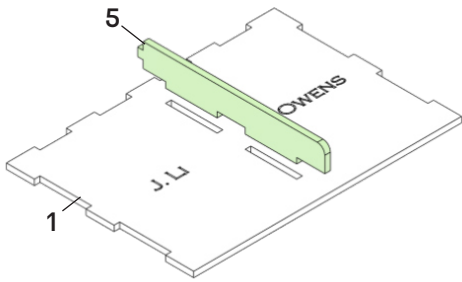
= Part of tray



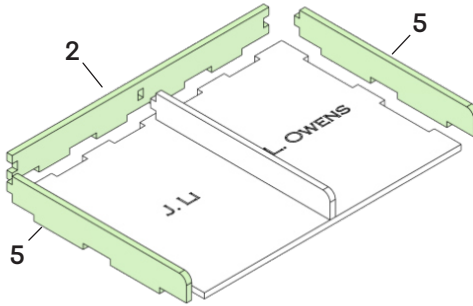
(A) 1



(B) 1



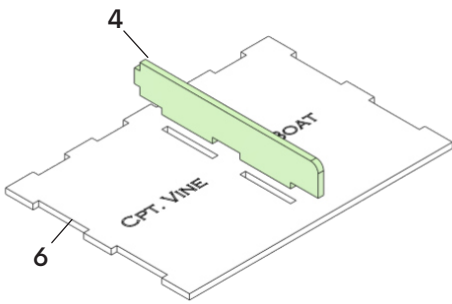
2



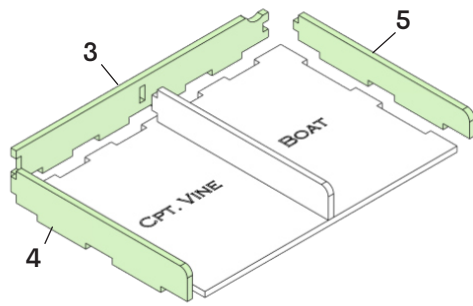
(x2)



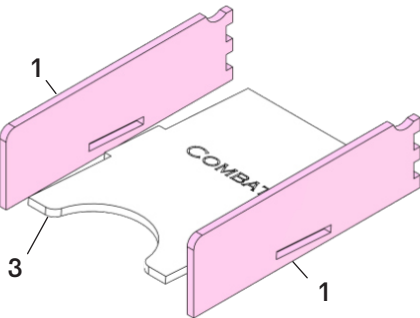
(B) 3



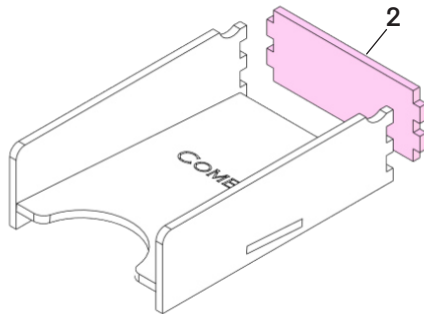
4



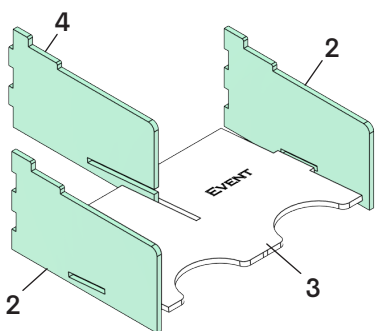
(C) 1



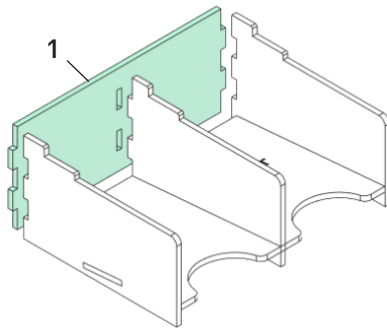
2



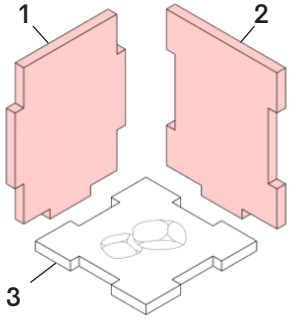
(D) 1



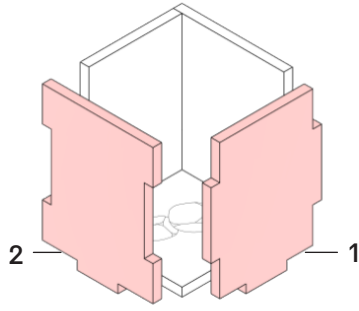
2



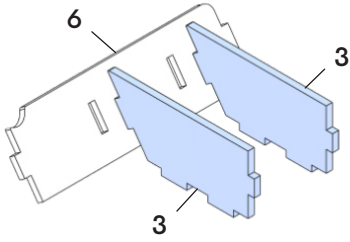
E 1



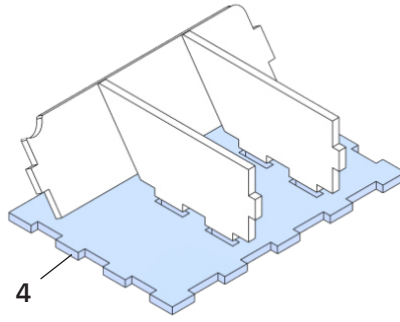
2



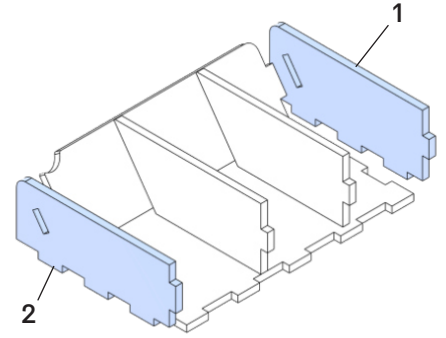
F 1



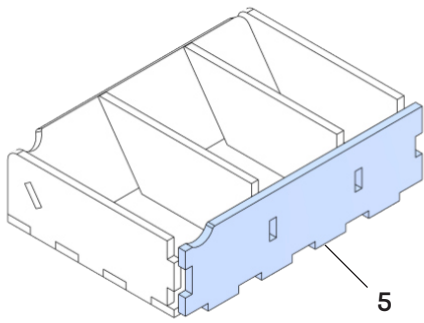
2



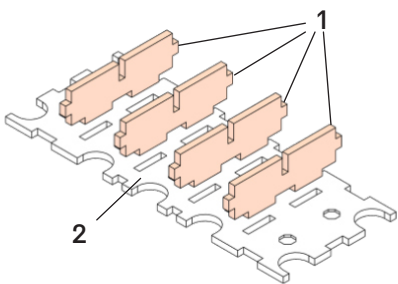
3



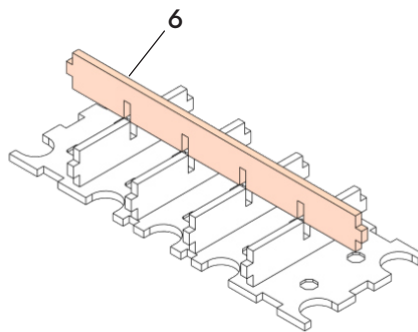
F 4



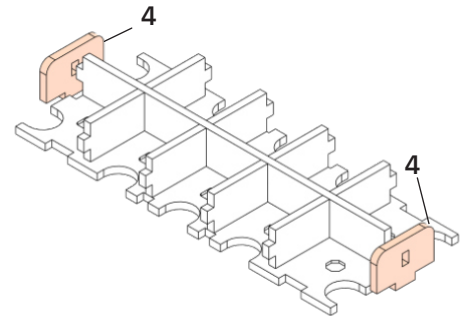
G 1



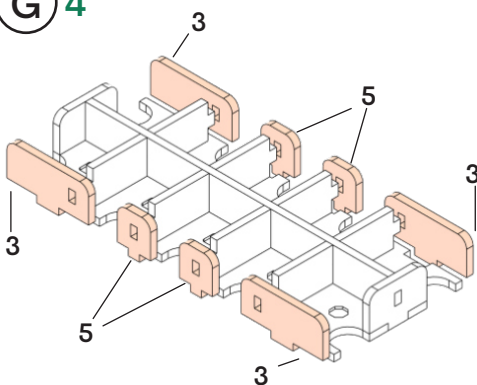
2



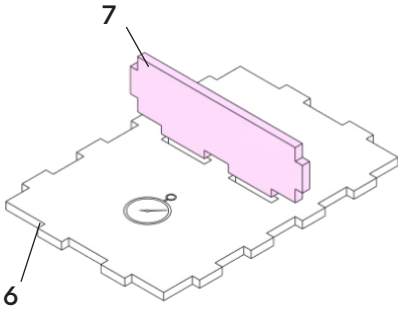
3



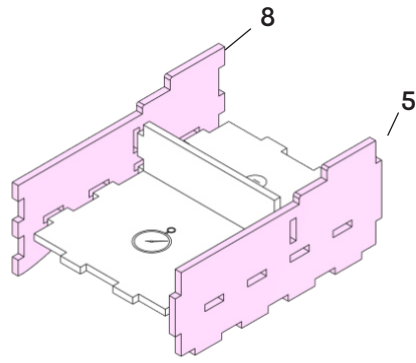
G 4



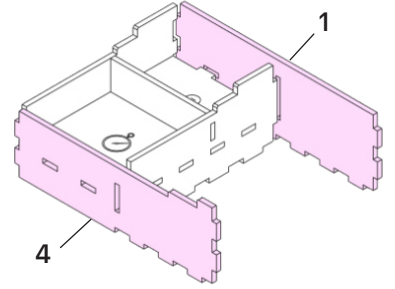
H 1



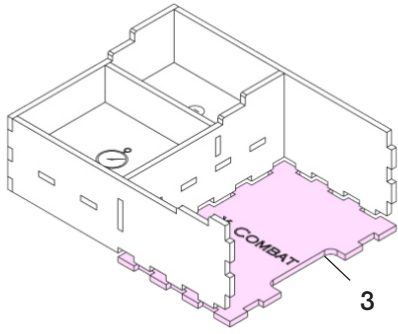
2



3



H 4



5

